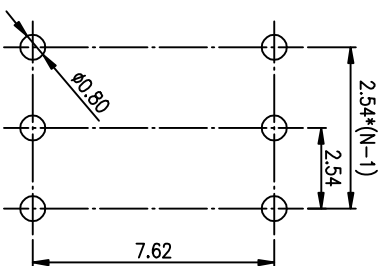
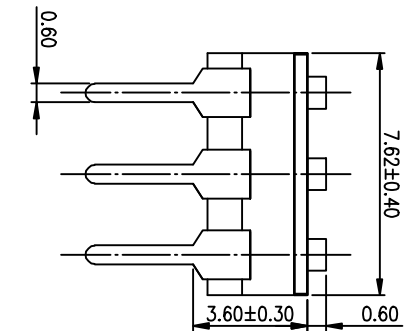
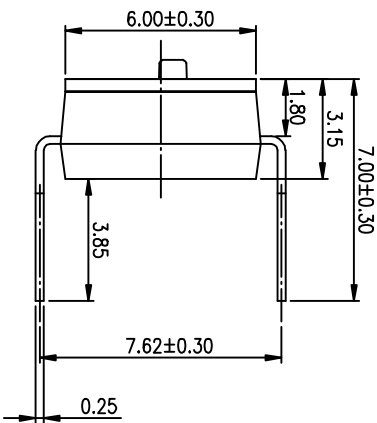
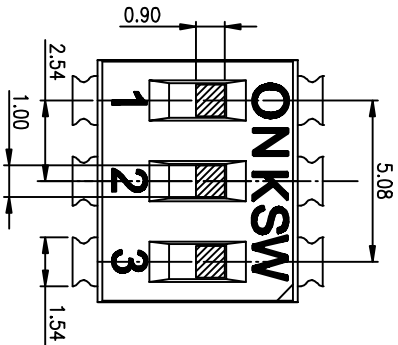
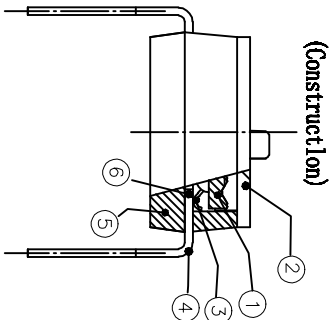


PRODUCT NO.	DISC031HGET
ROHS COMPLIANT	Yes



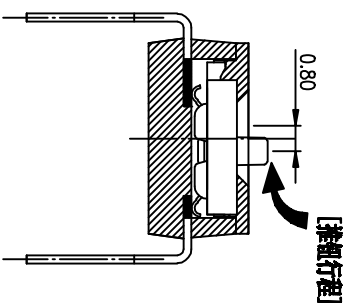
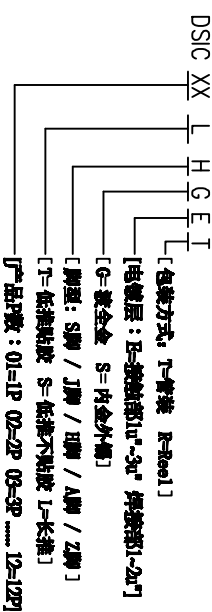
RECOMMENDED P.C.B. LAYOUT (TOP VIEW)



NOTES :

1. Specification:
- 1> Operating force: 1000gf Max
 - 2> Operating Temperature: -40° to +85°
 - 3> Storage Temperature: -40° to +85°
 - 4> Mechanical Life: 3000cycles minimum
 - 5> Electrical Life: 2000cycles 25mA 24VDC
2. PLATING:
- GOLD FLASH 1u"(min.) SOLDER TAIL,
1u"~3u" GOLD PLATING ON THE CONTACT AREA,
WITH 50u" NICKEL UNDERPLATING OVERALL.

3. PART NUMBER DESCRIPTION



Number	Part Name	Material	Finished
①	Actuator	UL94 V0	White
②	Cover	UL94 V0	Black
③	Movable	Copper Alloy	3u"Gold
④	Terminal	Brass	1u"Gold
⑤	Base	UL94 V0	Black
⑥	Terminal Contact	Brass	1u"~3u"Gold

TOLERANCE UNLESS OTHERWISE SPECIFIED		INSPECTION	
LINER	ANGLES	COPY	PROJECTION
0 ± 0.25	0. ± 2'		
.00 ± 0.15	.0 ± 1'		
.000± 0.10	.00± 0.5'		
DESIGN	kathy	2012/04/12	
DRAWING			
CHECK			
APPRO.			

KE 东莞市 睿尔实业有限公司
Dongguan Kingtek Industrial Co., Ltd.

PRODUCT FAMILY DISC SERIES
PRAT NO. DISC031HGET

BY DISC SERIES PITCH 2.54mm

FILE NO. DISC031HGET-A
SIZE UNIT SCALE SHEET REV.
A4 mm 2 : 1 1OF 1 A